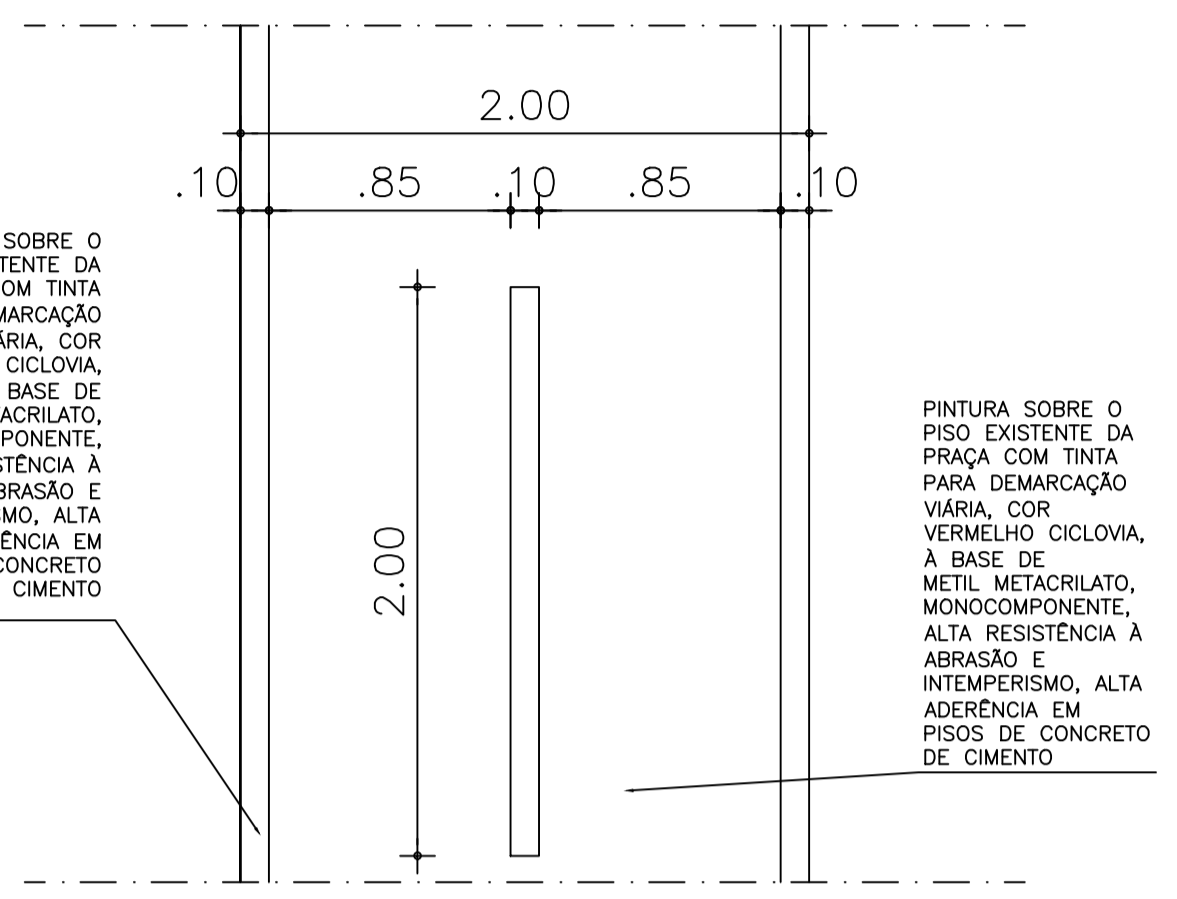
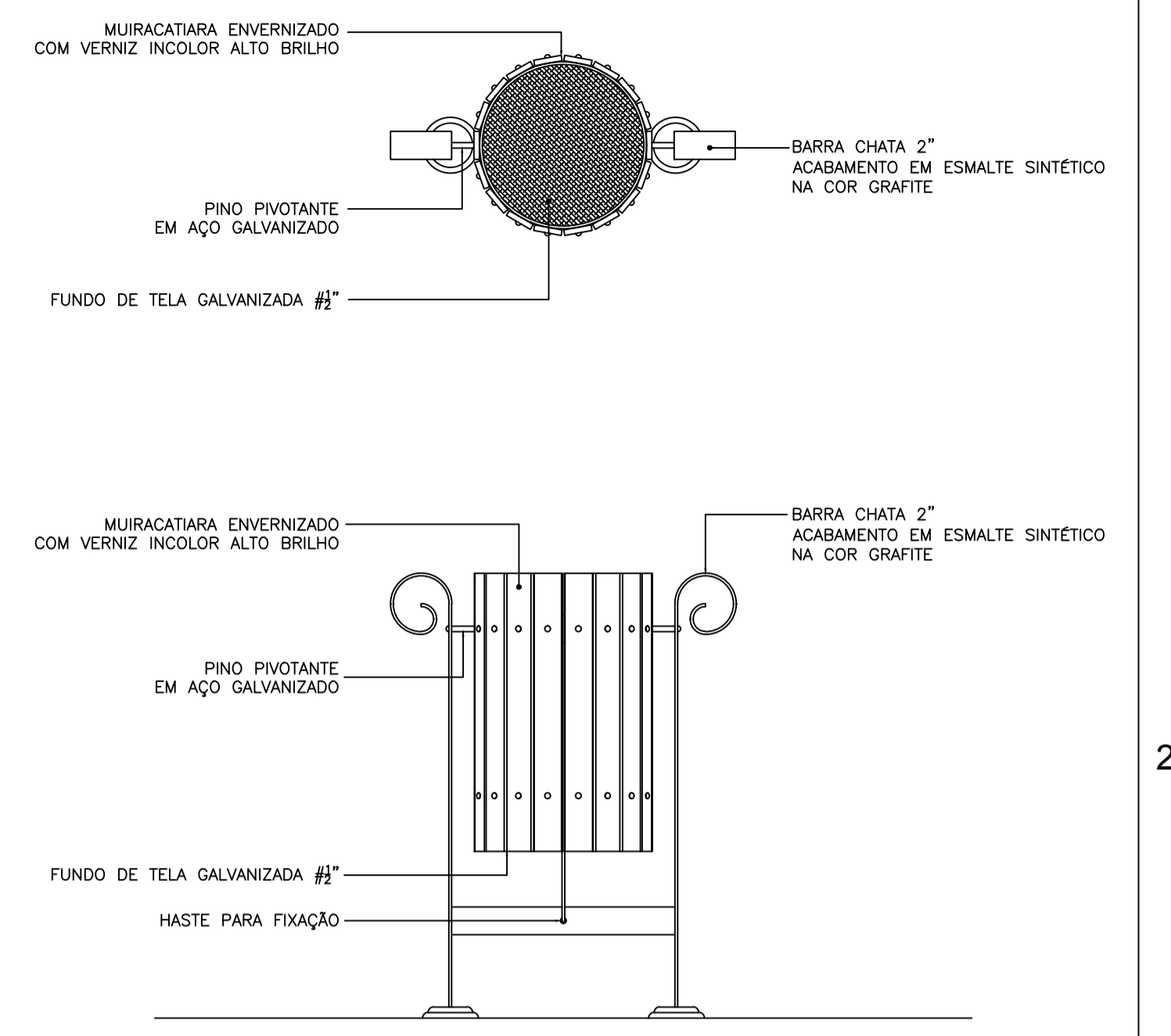


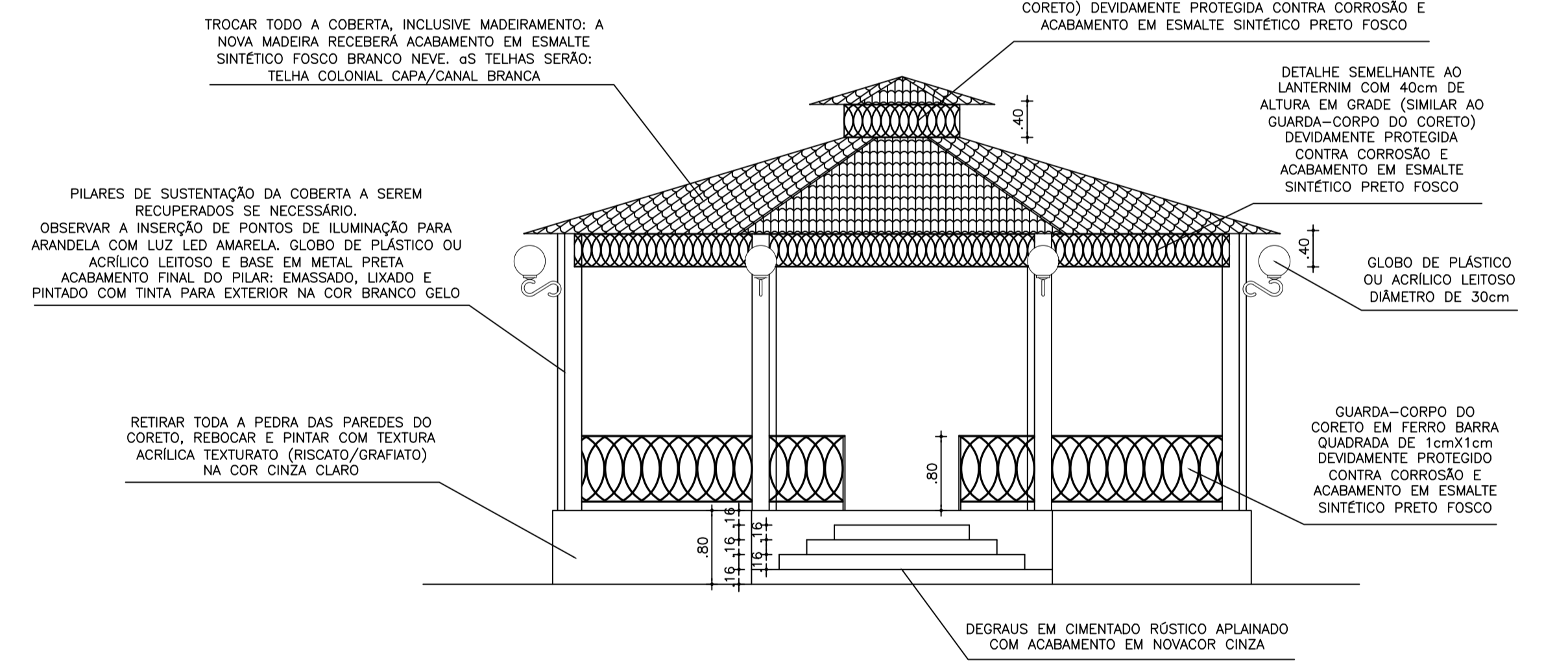
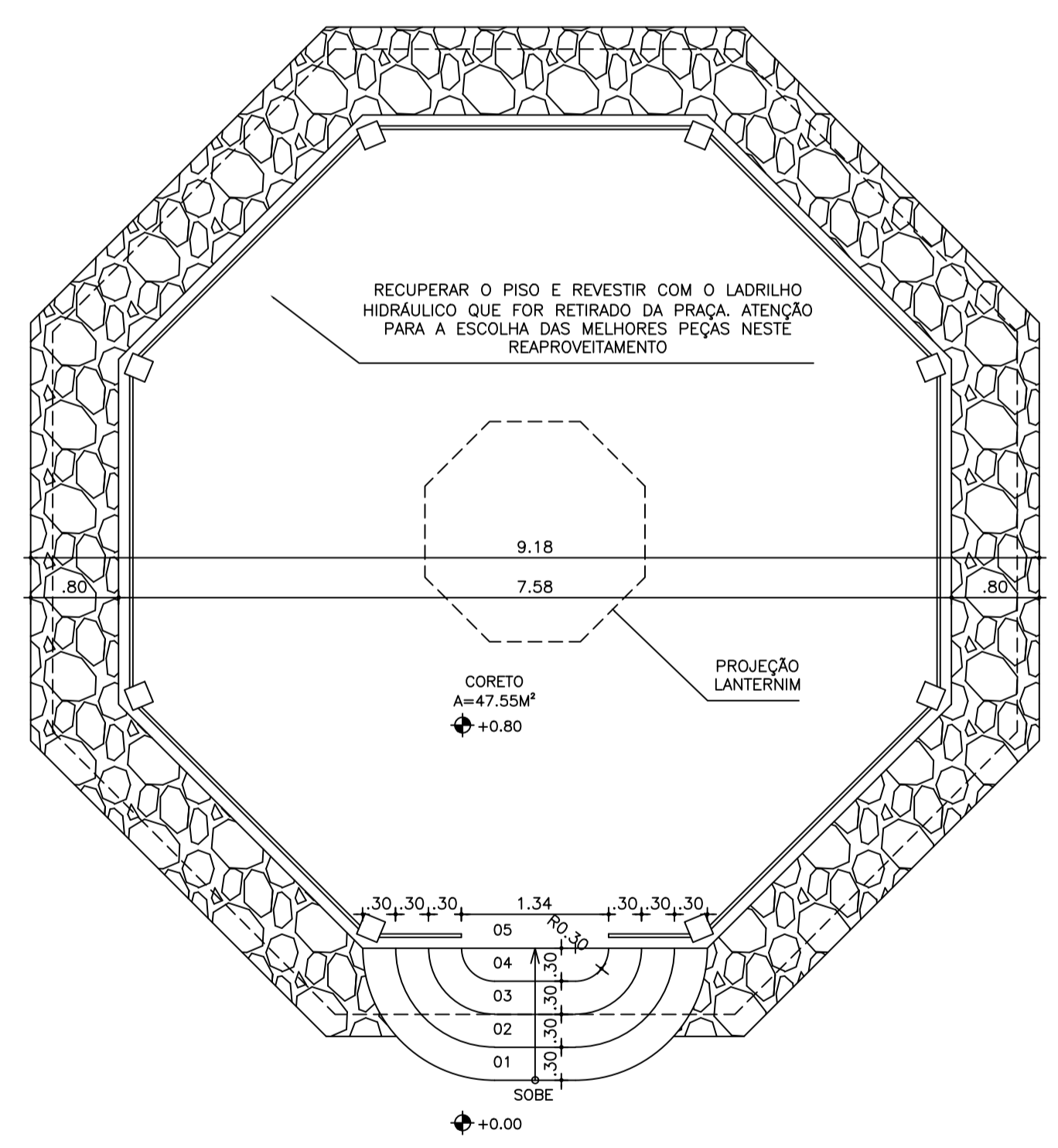
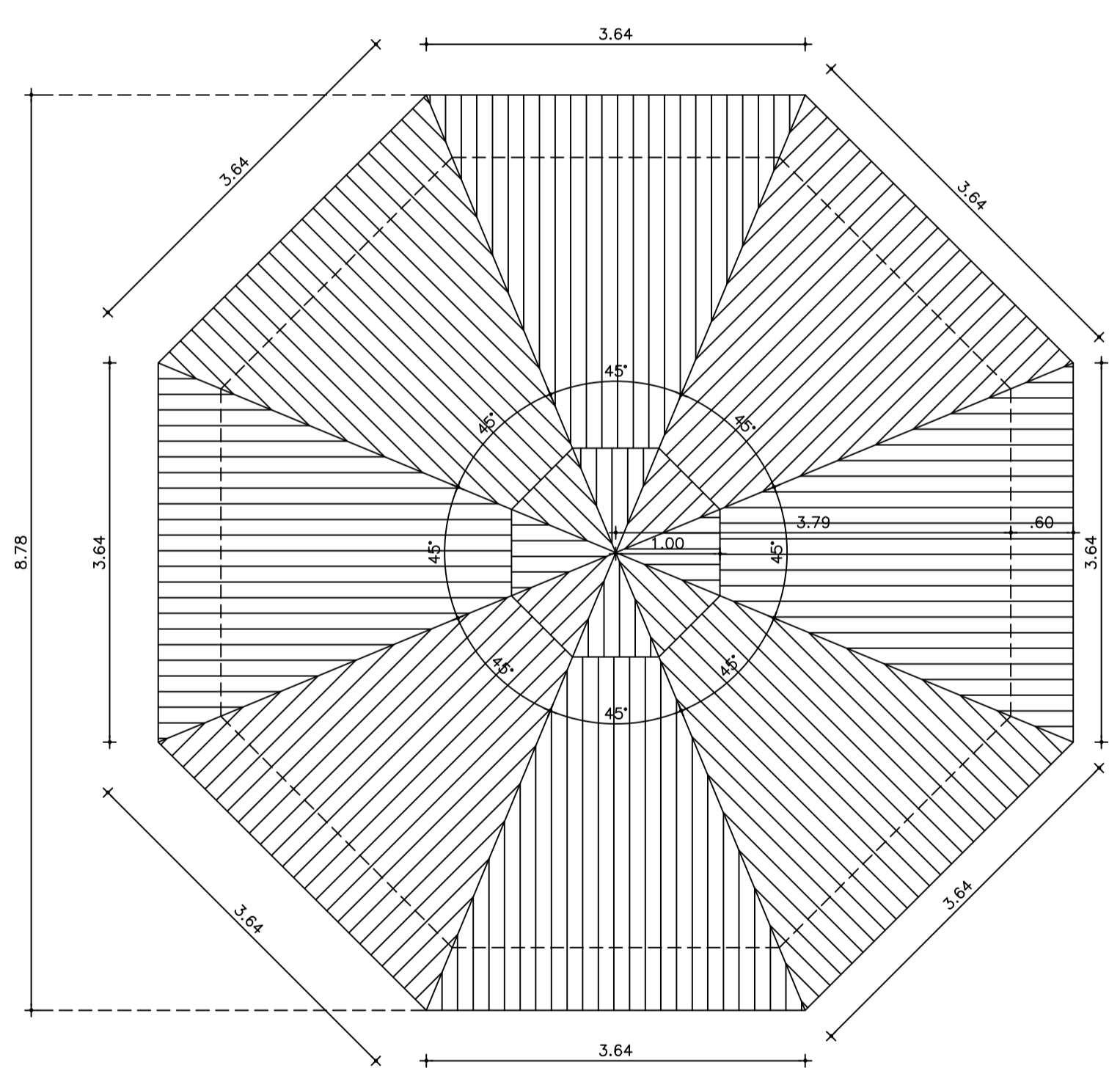
01 DETALHE BANCO
esc.: 1/25



02 DETALHE CICLOVIA
esc.: 1/25



03 DETALHE LIXEIRA
esc.: 1/10



01 ILUSTRAÇÃO
esc.: 1/25

| | | | | |
|--------|------|----------|----------|------|
| APROVO | PAGO | I.S.S.P. | I.S.S.C. | CREA |
| | | | | |

ANTENOR COELHO
ARQUITETO

CAU-CE A19.985-0

RUA CONSELHEIRO RODRIGUES JR. 30
SOBRAL - CE CEP. 62.010-445
FONE : (88) 3611-2417

| | | |
|--|------------------|------------------------|
| PROJETO: PRAÇA DERMEWAL CARNEIRO | | |
| CLIENTE: PREFEITURA MUNICIPAL DE MASSAPÉ | | |
| LOCAL: R. MAJOR FELINTO ÁGUIAR, MASSAPÉ - CE | | |
| CONTEÚDO: ARQUITETURA | | |
| 1 | DETALHE BANCO | _____ |
| 2 | DETALHE CICLOVIA | _____ |
| 3 | DETALHE LIXEIRA | _____ |
| 4 | _____ | _____ |
| 5 | _____ | _____ |
| 6 | _____ | _____ |
| 7 | _____ | _____ |
| ESCALA: | INDICADA | DESENHO: VALMIR SOARES |
| ATUALIZAÇÃO: | DATA: 2022 | PRANCHAL: 06/06 |

| QUANTIDADE | UNIDADE | VALOR UNITÁRIO | VALOR TOTAL |
|------------|---------|----------------|-------------|
| 1 | m² | 0.10 | 0.10 |
| 1 | m² | 0.20 | 0.20 |
| 1 | m² | 0.30 | 0.30 |
| 1 | m² | 0.40 | 0.40 |
| 1 | m² | 0.50 | 0.50 |
| 1 | m² | 0.60 | 0.60 |
| 1 | m² | 0.70 | 0.70 |
| 1 | m² | 0.80 | 0.80 |
| 1 | m² | 0.90 | 0.90 |
| 1 | m² | 1.00 | 1.00 |
| 1 | m² | 1.10 | 1.10 |
| 1 | m² | 1.20 | 1.20 |
| 1 | m² | 1.30 | 1.30 |
| 1 | m² | 1.40 | 1.40 |
| 1 | m² | 1.50 | 1.50 |
| 1 | m² | 1.60 | 1.60 |
| 1 | m² | 1.70 | 1.70 |
| 1 | m² | 1.80 | 1.80 |
| 1 | m² | 1.90 | 1.90 |
| 1 | m² | 2.00 | 2.00 |
| 1 | m² | 2.10 | 2.10 |
| 1 | m² | 2.20 | 2.20 |
| 1 | m² | 2.30 | 2.30 |
| 1 | m² | 2.40 | 2.40 |
| 1 | m² | 2.50 | 2.50 |
| 1 | m² | 2.60 | 2.60 |
| 1 | m² | 2.70 | 2.70 |
| 1 | m² | 2.80 | 2.80 |
| 1 | m² | 2.90 | 2.90 |
| 1 | m² | 3.00 | 3.00 |
| 1 | m² | 3.10 | 3.10 |
| 1 | m² | 3.20 | 3.20 |
| 1 | m² | 3.30 | 3.30 |
| 1 | m² | 3.40 | 3.40 |
| 1 | m² | 3.50 | 3.50 |
| 1 | m² | 3.60 | 3.60 |
| 1 | m² | 3.70 | 3.70 |
| 1 | m² | 3.80 | 3.80 |
| 1 | m² | 3.90 | 3.90 |
| 1 | m² | 4.00 | 4.00 |
| 1 | m² | 4.10 | 4.10 |
| 1 | m² | 4.20 | 4.20 |
| 1 | m² | 4.30 | 4.30 |
| 1 | m² | 4.40 | 4.40 |
| 1 | m² | 4.50 | 4.50 |
| 1 | m² | 4.60 | 4.60 |
| 1 | m² | 4.70 | 4.70 |
| 1 | m² | 4.80 | 4.80 |
| 1 | m² | 4.90 | 4.90 |
| 1 | m² | 5.00 | 5.00 |
| 1 | m² | 5.10 | 5.10 |
| 1 | m² | 5.20 | 5.20 |
| 1 | m² | 5.30 | 5.30 |
| 1 | m² | 5.40 | 5.40 |
| 1 | m² | 5.50 | 5.50 |
| 1 | m² | 5.60 | 5.60 |
| 1 | m² | 5.70 | 5.70 |
| 1 | m² | 5.80 | 5.80 |
| 1 | m² | 5.90 | 5.90 |
| 1 | m² | 6.00 | 6.00 |
| 1 | m² | 6.10 | 6.10 |
| 1 | m² | 6.20 | 6.20 |
| 1 | m² | 6.30 | 6.30 |
| 1 | m² | 6.40 | 6.40 |
| 1 | m² | 6.50 | 6.50 |
| 1 | m² | 6.60 | 6.60 |
| 1 | m² | 6.70 | 6.70 |
| 1 | m² | 6.80 | 6.80 |
| 1 | m² | 6.90 | 6.90 |
| 1 | m² | 7.00 | 7.00 |
| 1 | m² | 7.10 | 7.10 |
| 1 | m² | 7.20 | 7.20 |
| 1 | m² | 7.30 | 7.30 |
| 1 | m² | 7.40 | 7.40 |
| 1 | m² | 7.50 | 7.50 |
| 1 | m² | 7.60 | 7.60 |
| 1 | m² | 7.70 | 7.70 |
| 1 | m² | 7.80 | 7.80 |
| 1 | m² | 7.90 | 7.90 |
| 1 | m² | 8.00 | 8.00 |
| 1 | m² | 8.10 | 8.10 |
| 1 | m² | 8.20 | 8.20 |
| 1 | m² | 8.30 | 8.30 |
| 1 | m² | 8.40 | 8.40 |
| 1 | m² | 8.50 | 8.50 |
| 1 | m² | 8.60 | 8.60 |
| 1 | m² | 8.70 | 8.70 |
| 1 | m² | 8.80 | 8.80 |
| 1 | m² | 8.90 | 8.90 |
| 1 | m² | 9.00 | 9.00 |
| 1 | m² | 9.10 | 9.10 |
| 1 | m² | 9.20 | 9.20 |
| 1 | m² | 9.30 | 9.30 |
| 1 | m² | 9.40 | 9.40 |
| 1 | m² | 9.50 | 9.50 |
| 1 | m² | 9.60 | 9.60 |
| 1 | m² | 9.70 | 9.70 |
| 1 | m² | 9.80 | 9.80 |
| 1 | m² | 9.90 | 9.90 |
| 1 | m² | 10.00 | 10.00 |